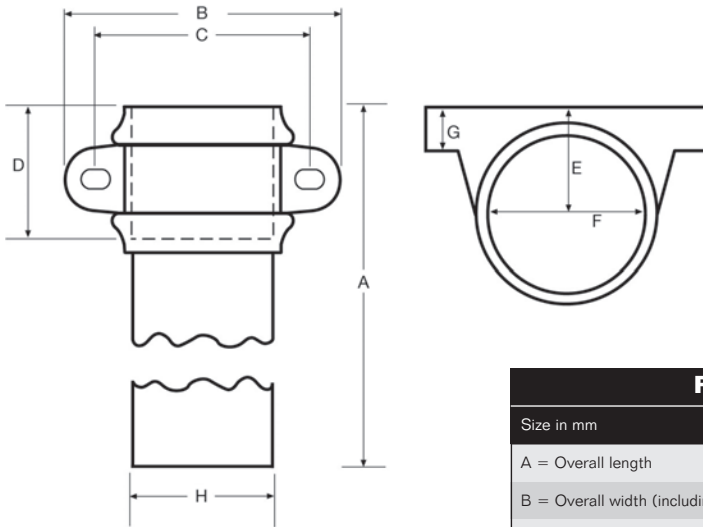


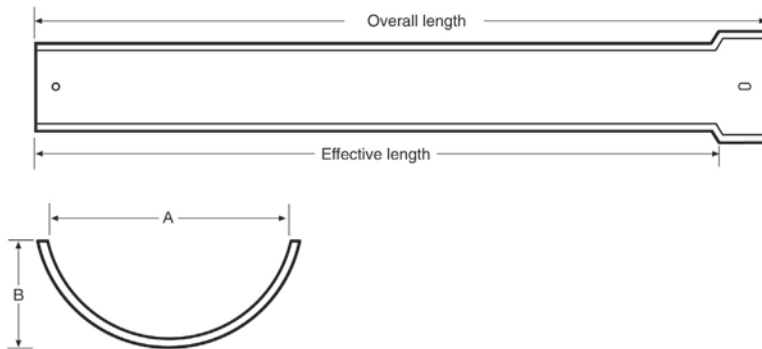
Round Rainwater Pipes



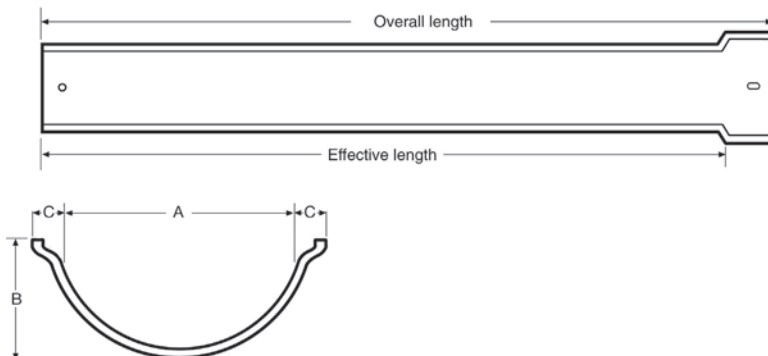
Round Rainwater Pipes - Eared & Plain				
Size in mm	65mm (2.5")	75mm (3")	100mm (4")	150mm (6")
A = Overall length	1829	1829	1829	1829
B = Overall width (including ears)	150	162	191	256
C = Distance between fixing centres	110	130	158	215
D = Insertion depth of socket	63	63	63	74
E = Back of fixing to pipe centre	47	53	65	91
F = Internal diameter of socket	73	83	111	162
G = Thickness of ear	15	15	15	15
H = Outside pipe diameter	69	80	105	159

Plain Half Round & Beaded Half Round Gutters with External Joint

Plain half round

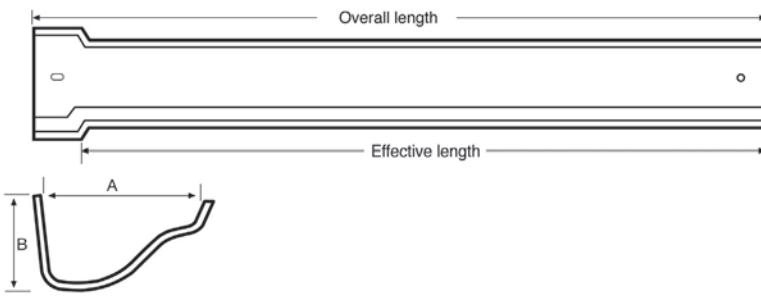


Beaded half round



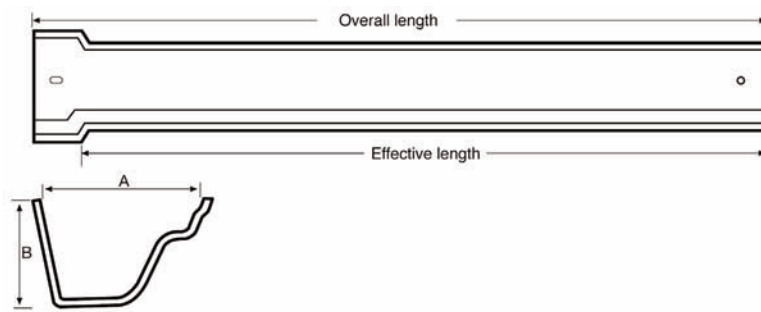
Plain Half Round & Beaded Half Round				
Size in mm	100mm (4")	115mm (4.5")	125mm (5")	150mm (6")
A = Internal width	100	115	125	150
B = Overall depth	41	50	52	76
C = Extension of bead	8	8	8	8
Effective length	1829	1829	1829	1829
Overall length	1879	1879	1879	1879

OG Gutters with Left Hand External Joint



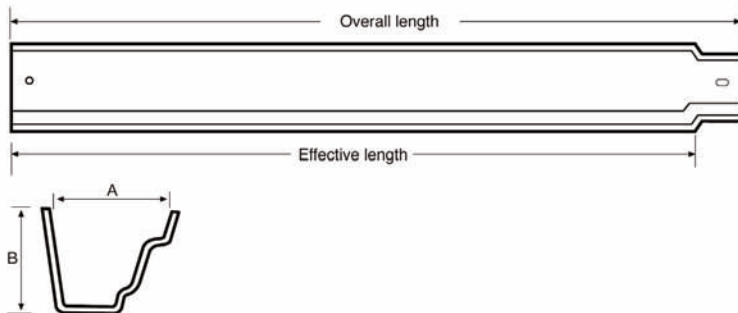
OG Gutters			
Size in mm	100mm (4')	115mm (4.5')	125mm (5')
A = Internal width	100	115	125
B = Overall depth	54	60	66
Effective length	1829	1829	1829
Overall length	1875	1875	1875

Notts OG Gutters with Left Hand External Joint



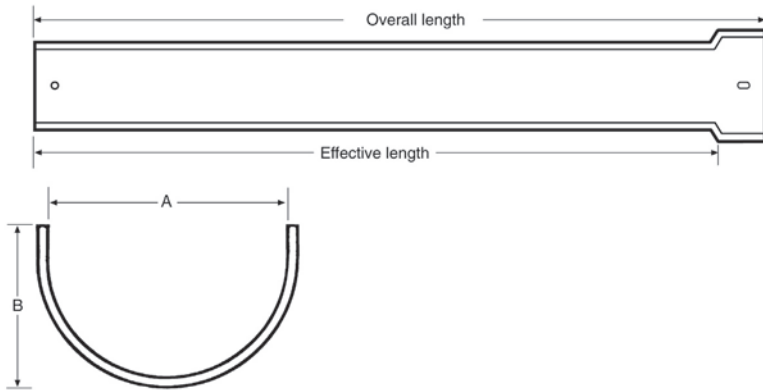
Notts OG Gutters	
Size in mm	115x75mm (4.5 x 3')
A = Internal width	115
B = Overall depth	75
Effective length	1829
Overall length	1875

G46 Moulded Gutters with Right Hand Internal Joint



G46 Moulded Gutters		
Size in mm	100x75mm (4 x 3')	125x100mm (5 x 4')
A = Internal width	100	125
B = Overall depth	75	100
Effective length	1829	1829
Overall length	1869	1885

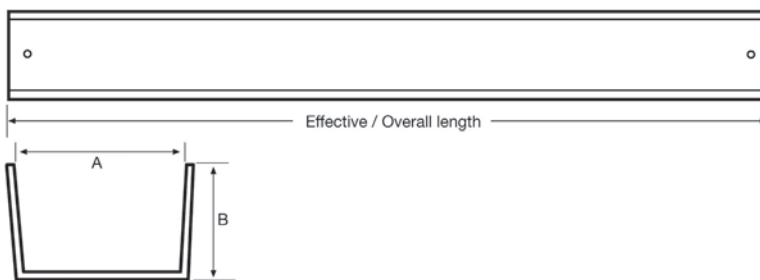
Plain Deep Half Round with External Joint



Plain Deep Half Round		
Size in mm	100x75mm (4 x 3")	125x75mm (5 x 3")
A = Internal width	110	122
B = Overall depth	70	70
Effective length	1829	1829
Overall length	1882	1890

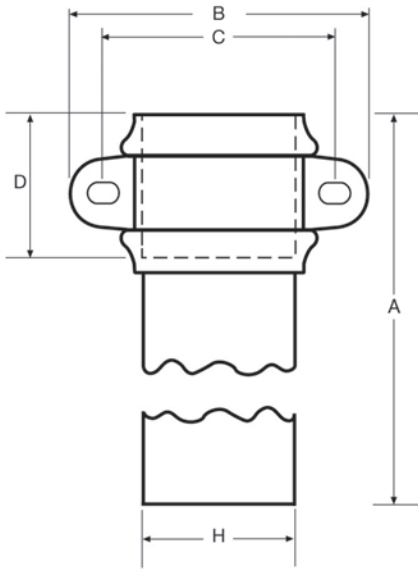
Box Gutter with Double Spigots

No socket – use union clips at each end



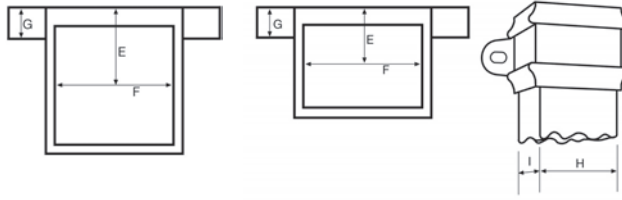
Box Gutter	
Size in mm	100x75mm (4 x 3")
A = Internal width	105
B = Overall depth	72
Effective / Overall length	1870

Square & Rectangular Pipes



Square pipe

Rectangular pipe

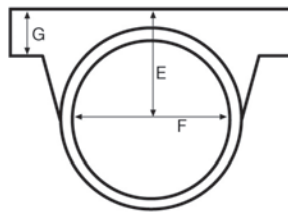
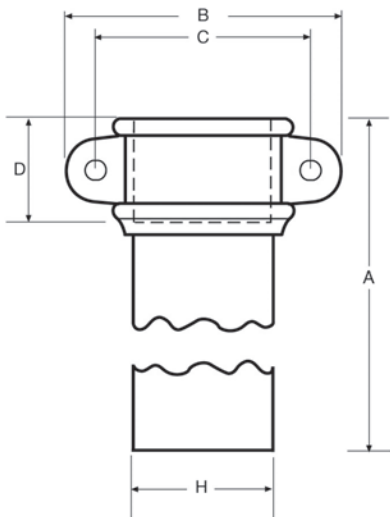


Square & Rectangular Pipes - Eared & Plain

Size in mm	75x75 (3x3")	100x100 (4x4")	125x125 (5x5")	100x75 (4x3")	125x70 (5x2.75")	125x100 (5x4")	150x100(6x4")
A = Overall length	1829	1829	1829	1829	1829	1829	1829
B = Overall width (including ears)	174	193	223	205	223	230	255
C = Distance between fixing centres	135	154	185	163	187	192	215
D = Insertion depth of socket	75	75	75	75	75	75	75
E = Back of fixing to pipe centre	53	63	78.5	58	62	65	64
F = Internal width of socket	82	108	133	109	124	132	160
G = Thickness of ear	13	13	13	25	10	12	10
H = Outside pipe width	76	102	127	101	118	128	155
I = Outside pipe depth	76	102	127	74	74	100	100

Some pipes may be cast with round fixing holes.

Traditional Soil Pipes



Traditional Soil Pipes - Eared & Plain

Size in mm	50mm (2")	65mm (2.5")	75mm (3")	90mm (3.5")	100mm (4")	115mm (6")
A = Overall length	1829	1829	1829	1829	1829	1829
B = Overall width (including ears)	165	170	180	195	215	275
C = Distance between fixing centres	130	130	145	165	183	240
D = Insertion depth of socket	55	60	60	65	64	65
E = Back of fixing to pipe centre	55	70	70	83	85	128
F = Internal diameter	70	88	100	110	129	180
G = Thickness of ear	10	25	12	25	15	25
H = Outside pipe diameter	60	75	85	100	110	155